

Sliding Door System Duplex S
ST.1017.DS





Sliding Door System DUPLEX S ST.1017.DS

Sliding Door System

DUPLEX S ST.1017.DS

Premium Edition

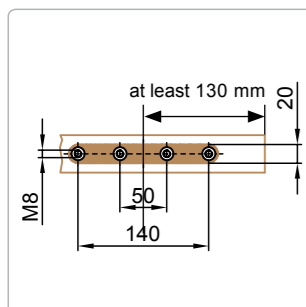
The Duplex S system is a fascinating evolution of the Duplex line. It was engineered for similar applications as the Duplex hardware, but contrary to that it mounts on the top edge of the door. The Duplex S system is suitable to accommodate heavy wooden or metal doors (not suitable for glass door panels).

Door weight max. 190 kg



Standard finish is decorative satin stainless steel. Partly polished, completely polished or PVD coated finishing (copper, gold or black) is available on request. Feel free to contact us, if you want to learn more about the Duplex S system.

Carriage holder:



Wall fastener:

NEW!

Standard wall fastener:
Includes ZK8.100.HD cheese head screw with wood-screw thread and Ø 10 mm Fischer-UX-wall plug.
- Available 80 or 100 mm

Wall distance:

Plan for distance to wall!
17.5 - 52.5 mm possible

Standard distance to wall!
27.5 mm (scope of delivery)

Example Skirting board

Different wall spacer sleeves to compensate for e.g. skirting boards or frames in 5 mm steps available!

ST.2000 Round rails Ø 25 mm

Ø wall rosette: 50 mm

Ceiling fastener with height adjustment

ST.5001

+/- 4 mm height adjustment possible after installation!
Additional ceiling fastener variants from page 83

Ceiling fastener without height adjustment

ST.5003

Additional ceiling fastener variants from page 83

Front side fasteners for rails

ST.5035

For Ø 25 mm rail

ST.3600 MWE soft stop module for round rails Ø 25 mm

Caution: Max. door leaf weight 120 kg, not suitable for use with a flush pull!

Rails corner connector

ST.2090.V

With angle adjustment option!

Seamless rail connector

ST.2025

For Ø 25 mm rail

Wall fastener for round rails

ST.2100

Glass fastening for round rails

ST.2170

Glass fastening for double rails

ST.2174

Floor guide for wooden doors

ST.4005



Three-parts set wall compensation discs, 1/2/3 mm

ST.2050

Different wall spacer sleeves to compensate for e.g. skirting boards or frames in 5 mm steps available!

Plan for distance to wall!
Standard wall distance 27.5 mm (scope of supply)
17.5 – 52.5 mm possible

More technical details in the trader's area at www.mwe.de/

Wall fastener screws – wood screw thread with cylinder screw thread!

NEW!

Standard wall fastener (in the scope of delivery): M8 cylinder head screw ZK8.100.HD with wood screw thread and Ø 10 mm wall plug, available in lengths of 80 and 100 mm.

Alternative wall fastener screw: M8 cylinder head screw with metric thread and gypsum wall metal wall plug. Available for single or double gypsum wall – please specify which!

MWE standard: screw heads twisted off



MANUFACTORY



MWE stands for high quality and great attention to detail. Our philosophy and mission is to provide products that keep up with the spirit of the time.

We keep meeting the highest requirements in terms of design, quality and functionality. Top MWE technology combined with excellent customer relationship management results in "Quality built on passion"!

Click here to browse through our catalogues and magazines:



Doors



Ladders



Showers



Door pulls

